

OPUS[®] Columns 45 - 80 cm internal diameter (ID)

Unpackaging Instructions



OPUS® Columns 45 - 80 cm Unpackaging Instructions

Customer Support USA

customerserviceUS@repligen.com

+1-781-250-0111

Repligen Corporation

41 Seyon Street Building #1, Suite 100

Waltham, MA 02453

Customer Support Europe

customerserviceEU@repligen.com

+31 76 5719 419

Repligen Europe B.V.

Hoeksteen 13

4815 PR BREDA

The Netherlands



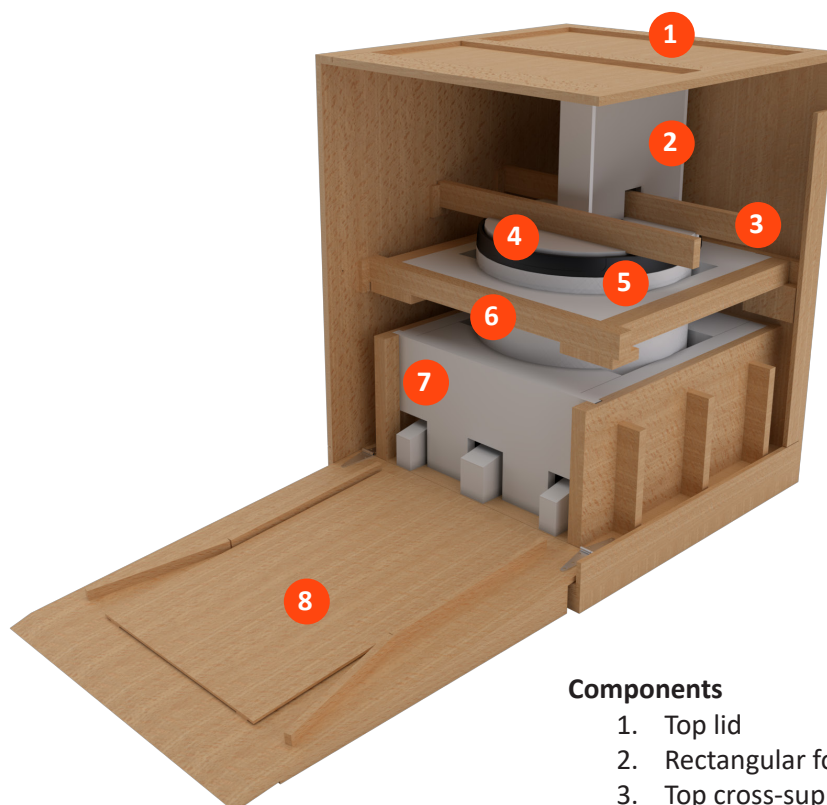
Full User Guide available at

www.repligen.com/resources/quality

1. Read Prior to removing the Column from the Box

- This OPUS® Column has been securely packaged and shipped in a custom-designed wooden crate to ensure product quality. The custom packaging is designed such that the OPUS® Column does not touch the bottom of the crate.

Figure 1. OPUS® Column packaging, 45 - 80 cm ID



Components

1. Top lid
2. Rectangular foam guard (optional)
3. Top cross-supports (x2)
4. Upper foam disc
5. Upper foam guard
6. Left, right upper column supports
7. Bottom foam guard
8. Fold down ramp

2. Required tools

Drill or electric screwdriver with Philips driver/tip.

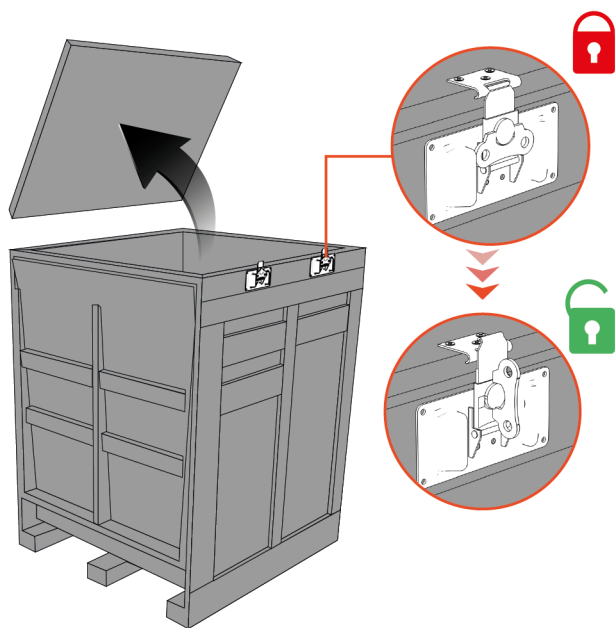
3. Inspect crate and locate important documentation

Upon receipt of the OPUS® Column shipment:

- Inspect the outside of the wooden crate for any unusual signs of damage.
 - Contact Repligen immediately if significant damage has occurred (see page 4).
- Locate the shipping delivery documents attached to the outside of the box and save in associated location for logistics or quality purposes.
- For GMP Run Ready OPUS® Columns, locate the QC resin sample, typically shipped in a separate box, and store as specified by the resin manufacturer.
- Excess resin may have been shipped to Repligen and not used during column packing. A container this excess resin may be in the wooden crate.
- A resin retain sample (~100 mL) typically included in the crate for quality purposes.

Step 1

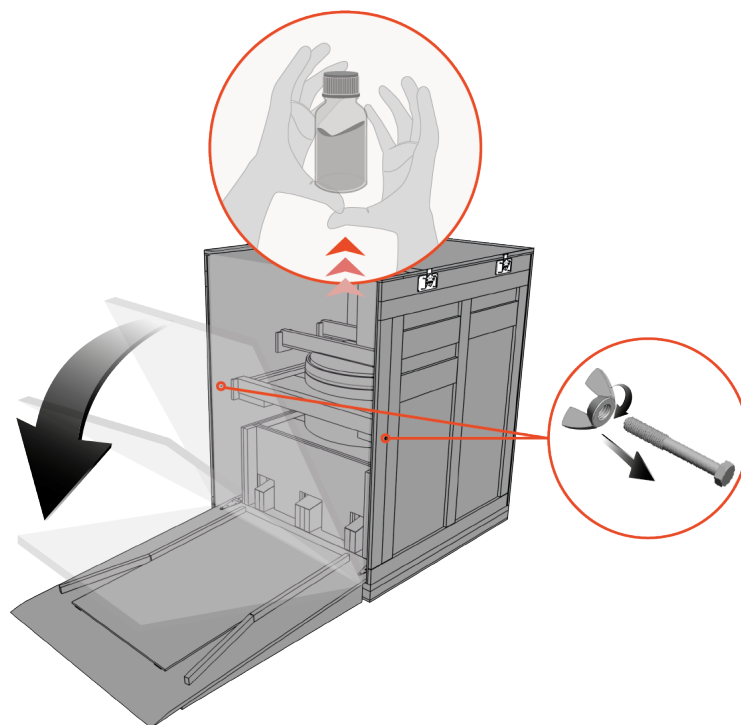
Figure 2. Latch opening



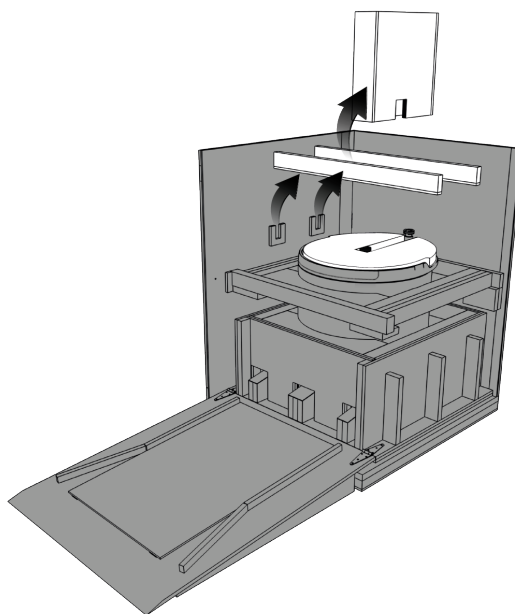
- Open six latches to disengage the cam mechanism.
- Lift top lid and set aside.

Step 2

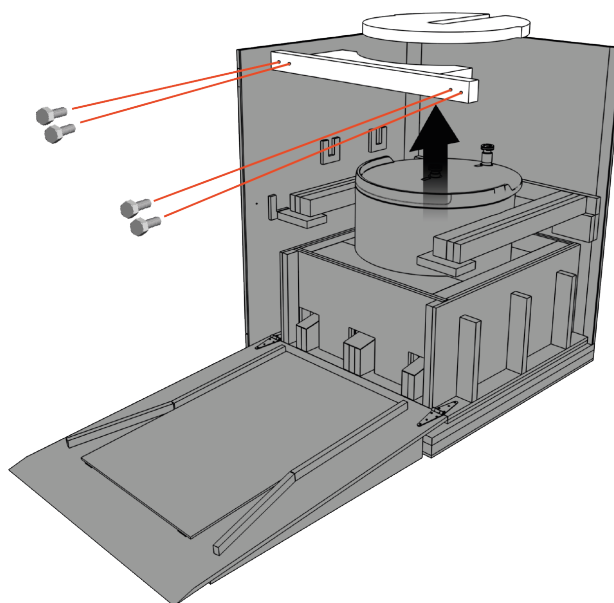
Figure 3. Ramp door opening



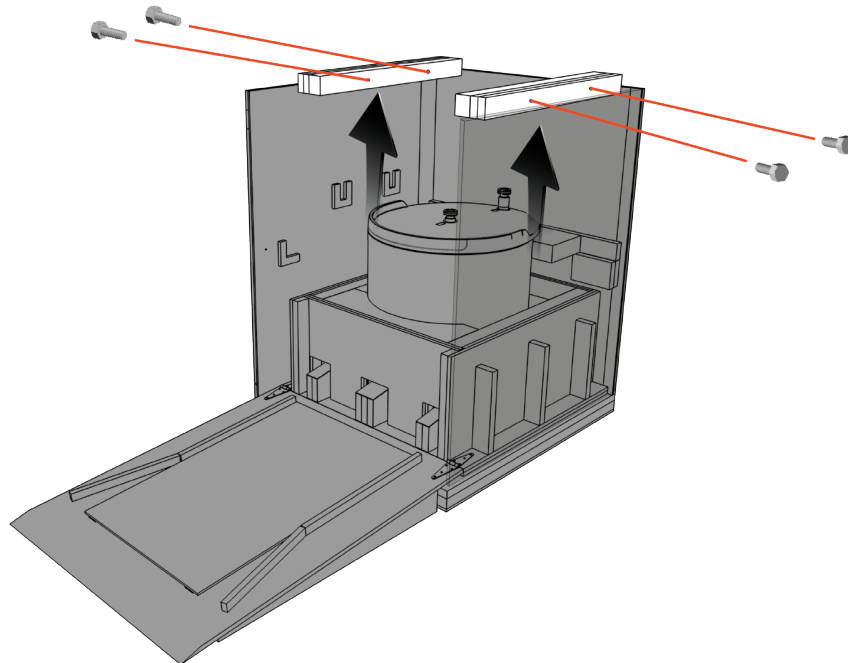
- ⚠ • Keep one hand on the ramp at all times while removing both carriage bolts so the ramp doesn't fall.
- Remove carriage bolts and wing nuts.
- Carefully lower the front ramp.
- Remove the 100 mL resin sample if present .

Step 3**Figure 4. Removing pieces**

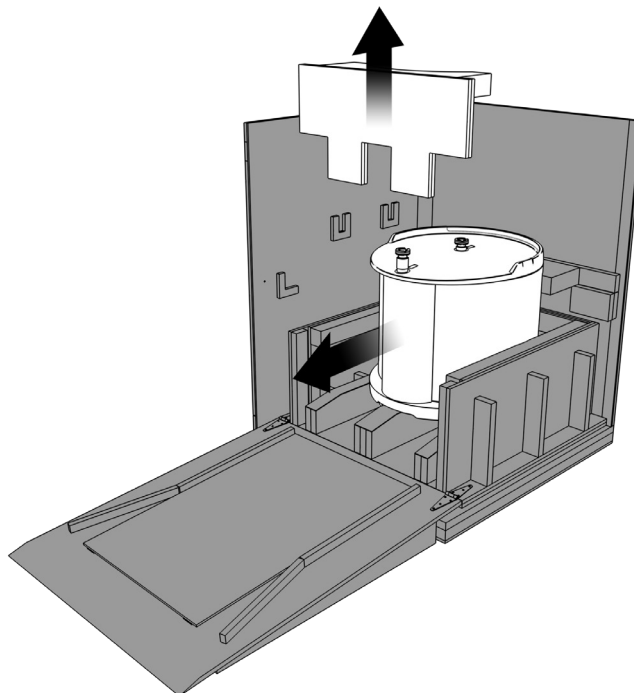
- If tubing set is attached to OPUS® Column, remove rectangular foam guard. The rectangular foam guard protects the H tube configuration while in transit.
- ⚠ • Do not pull or push on tube ports of tubing set if so equipped.
- Carefully maneuver and lift off foam so as not to damage the tube set.
- Remove the 4 Phillips head screws (black) from each side of the crate.
- Lift top cross-supports from the crate

Step 4**Figure 5. Removing pieces and screws**

- Lift foam disk from top of column.
- Remove the 4 Phillips head screws (black) securing the upper foam guard from each side of the crate.
- Carefully lift the upper foam guard up and out of the crate.

Step 5**Figure 6. Removing supports and screws**

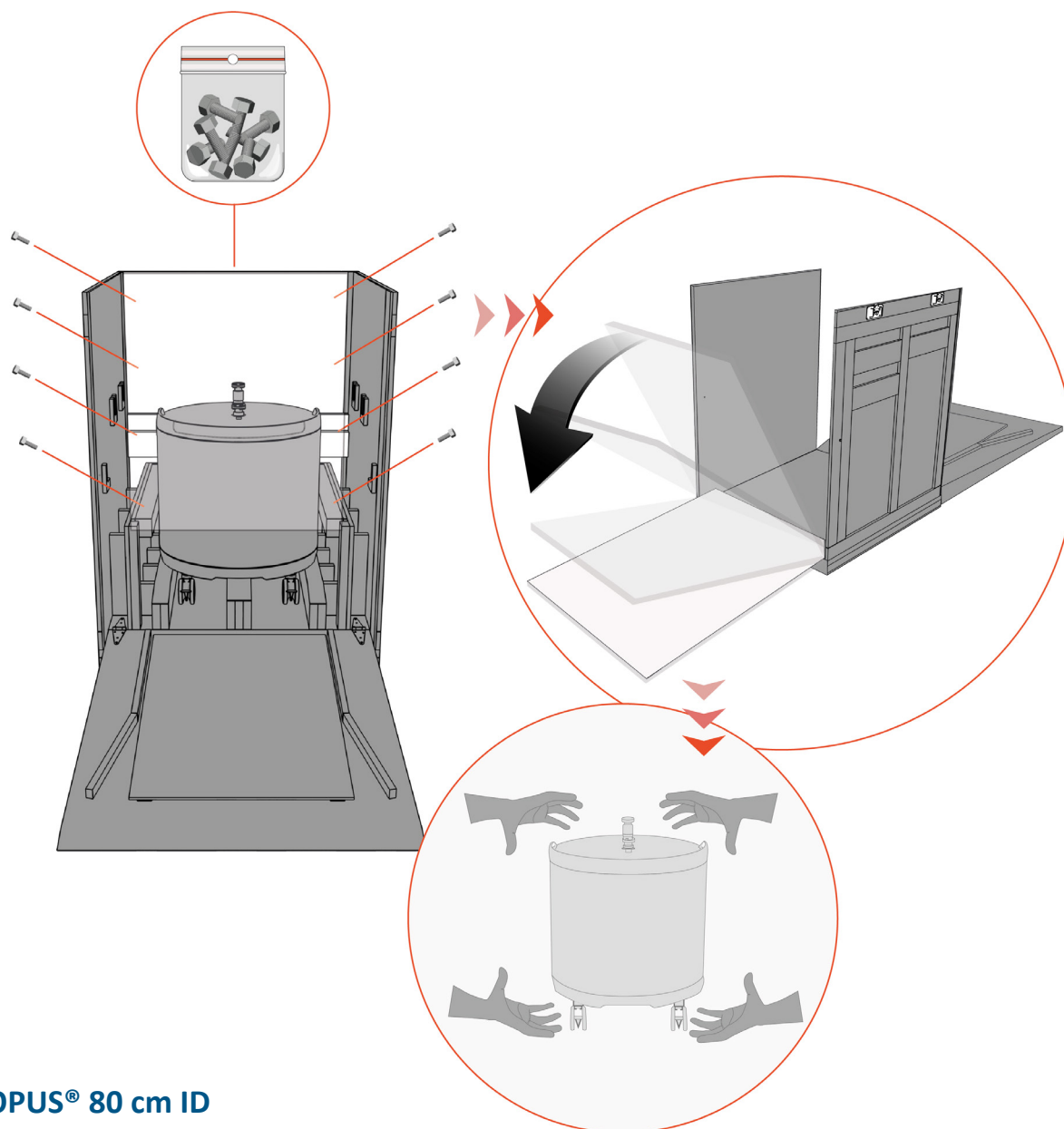
- Remove 4 Phillips head screws (black) from each side of the crate.
- Carefully lift the left and right upper column supports up and out of the crate.

Step 6**Figure 7. Roll column OPUS® 45 – 60 cm ID out of crate**

- Carefully lift the bottom foam guard up and out of the crate.

OPUS® 45 – 60 cm ID

- Roll column out of crate using ramp.
- Do not pull on tube sets or tube ports when removing column from crate.
- Stand in front of OPUS® Column and pull OPUS® Column forward by grasping the top cap (black).

Step 7**Figure 8. Roll column OPUS® 80 cm ID out of crate****OPUS® 80 cm ID**

- Two people required for this step.
- Do not pull on tube sets or tube ports when removing column from crate.
- Remove 8 Phillips head screws (black) screws from back panel
- Remove rear panel of crate.
- If desired, remove right and left panel of the crate by first removing 8 Phillips head screws (black)
- Operator 1: stand in front of OPUS® Column and pull OPUS® Column forward by grasping the top cap (black).
- Operator 2: stand behind OPUS® Column and push OPUS® Column forward by pressing on column body (white).

Store the OPUS® Column according to the recommendations of the resin manufacturer.

If you are unable to utilize the casters to mobilize the OPUS® Column, the top and bottom caps feature a channel that can be used to secure a strap. Contact Repligen for more information.